

Subject: HPLC, LC/MS Columns' End-fitting Style Changing Notice

Feb 1st, 2019

Dear Valued Customers,

Thank you for using GL Sciences high quality (U)HPLC columns.

Please be aware that GL Sciences' (U)HPLC columns end-fitting will be changed to "Parker type (UP)". All the other end-fitting types will be discontinued

Relevant products: All HPLC, LC/MS Columns

Implementation Start Date: The columns which are manufactured from March 1, 2019

Current column end-fitting style:

- (1) 1/16 inch Waters-compatible type (W type)
- (2) Parker type (UP type)

New column end-fitting style:

Parker type (UP type)

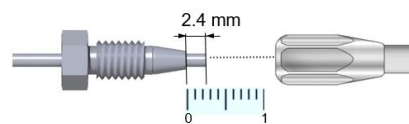
(1) Difference of both end-fittings:

HPLC, LC/MS columns' end-fittings are 1/16 inch Waters-compatible (W type) and Parker type (UP type), which differ in the length of tubing tip. Connections with different fittings may cause dead volume, liquid leakage, and failure to connect the column to tubing.

1/16 inch Waters-compatible type (W type)



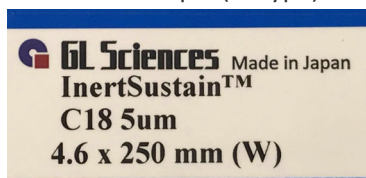
Parker type (UP type)



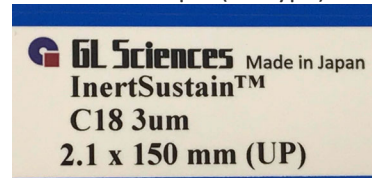
(2) How to recognize column end-fitting:

The columns' end-fitting can be recognized by the package label and the column label.

Label example (W type)



Label example (UP type)



GL SCIENCES INC BANK ACCOUNT

Name : MUFG BANK, LTD.
 Address : SHINJUKU NISHI BRANCH
 1-8-1 NISHISHINJUKU, SHINJUKU-KU,
 TOKYO 163-0023, JAPAN
 Account No. : 9000332
 SWIFT Code : BOTKJPJT
 Tel : +81-(0)3-3346-1233

GL Sciences, Inc. USA

4733 Torrance Blvd. Suite 255
 Torrance, CA 90503, USA
 Tel : +1 310-265-4424
 Fax : +1 310-265-4425
 Email : info@glsciencesinc.com
 Web : www.glsciencesinc.com

GL Sciences B.V.

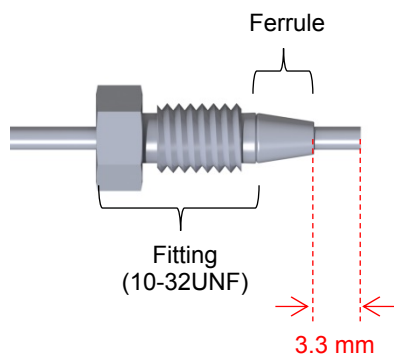
De Sleutel 9
 5652 AS Eindhoven
 The Netherlands
 Tel : +31 (0)40 254 95 31
 Email : info@glsciences.eu
 Web : www.glsciences.eu

(3) Cautions

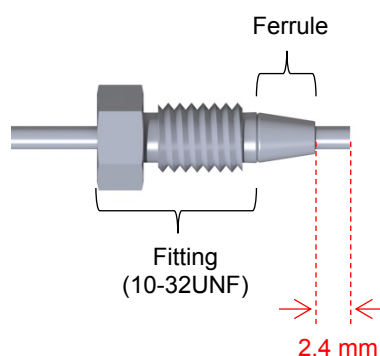
Refer to points (1) and (2) to check columns' end-fitting and the tubing connection

Please make sure to adjust the tubing tip to the 2.4 mm Parker type.

1/16 inch Waters-compatible type (W type)



Parker type (UP type)



Note the following check is required when connecting columns with different end-fitting type:

If the ferrule material is PEEK, adjust the ferrule position and lightly pressing tubing to connect to the column.

If you used a stainless steel ferrule, the tubing is fixed with a ferrule. Therefore the fitting needs to be replaced before connecting to the column.

Should you have any questions, please feel free to ask.

Sincerely yours,



Mitsuhiro Kurano
 Operating Officer
 International Department
 GL Sciences Inc.

GL SCIENCES INC BANK ACCOUNT
 Name : MUFG BANK, LTD.
 Address : SHINJUKU NISHI BRANCH
 1-8-1 NISHISHINJUKU, SHINJUKU-KU,
 TOKYO 163-0023, JAPAN
 Account No. : 9000332
 SWIFT Code : BOTKJPJT
 Tel : +81-(0)3-3346-1233

GL Sciences, Inc. USA
 4733 Torrance Blvd. Suite 255
 Torrance, CA 90503, USA
 Tel : +1 310-265-4424
 Fax : +1 310-265-4425
 Email : info@glsciencesinc.com
 Web : www.glsciencesinc.com

GL Sciences B.V.
 De Sleutel 9
 5652 AS Eindhoven
 The Netherlands
 Tel : +31 (0)40 254 95 31
 Email : info@glsciences.eu
 Web : www.glsciences.eu